

TUNGSTEN SMART-HEAT™  
WIRELESS ON/OFF CONTROL  
BY BROMIC

**USER MANUAL**

---



**⚠ IMPORTANT**

READ THIS MANUAL CAREFULLY.  
SEE INSIDE COVER FOR IMPORTANT  
INFORMATION ABOUT THIS MANUAL.KEEP  
INSTRUCTION WITH APPLIANCE FOR FUTURE  
REFERENCE.

This manual contains important information about the installation, and operation of Tungsten Electric controller. Please pay close attention to the important safety information shown throughout this instruction manual. Any safety information will be accompanied by the following safety alert symbols:

 DANGER,  WARNING,  IMPORTANT

- READ THIS MANUAL CAREFULLY before installing or servicing this product.
- Improper installation or operation can result in death, severe injury, or property damage.
- Use this controller only as described in this manual. Any other use not recommended by the manufacturer may cause fire, electric shock, or injury to persons
- This controller is intended for fixed installation with 110 - 230 volt power supply.
- Installation MUST be carried out by a licensed and authorised technician in accordance with local electrical codes.
- For Commercial Use Only

NOTE: IMPORTANT INSTRUCTIONS, SAVE THESE INSTRUCTIONS

## WARNING

- **WARNING:** The outputs are NOT protected against short circuits or extra-currents which can damage the electronic board. Evaluate the characteristics of the connected loads and apply the appropriate safety devices to the power line.
- The radio signal reception of the device can be affected by the presence of electrical disturbances being transmitted by other appliances working on the same frequency or if the product is shielded by metal parts.
- Do not use the remote in places where systems are sensitive to radio emissions.
- Do not keep or use the remote in places that are damp, where there is steam, high air humidity, dust or where it is exposed to direct sunlight or similar environmental conditions.
- Do not drop the remote. This could damage or reduce the range of action of the remote.
- Do not use your nails to press remote buttons.
- Keep remote batteries out of reach of children.
- Call a doctor immediately if a battery is swallowed.
- See remote instruction manual for more details on the included remote.

**BROMIC**  
HEATING

**BROMIC HEATING**

**Head Office:** 1 Suttor Street, Silverwater, Sydney, NSW 2128 Australia

**Telephone:** 1300 276 642 (within Australia) or +61 2 9748 3900 (from overseas) **Fax:** +61 2 9748 4289

**Email:** info@bromicheating.com **Web:** www.bromicheating.com

*Note: Bromic Heating reserves the right to make changes to specifications, parts, components and equipment without prior notification. This Installation, operation and service manual may not be reproduced in any form with prior written consent from Bromic Heating.*

**Manufactured by Teleco Automation s.r.l. - Italy - [www.telecoautomation.com](http://www.telecoautomation.com)**

# CONTENTS

IMPORTANT NOTES & WARNINGS	4
PRODUCT OVERVIEW	5
INSTALLATION & OPERATION	6-7
TECHNICAL SPECIFICATIONS	7
TROUBLESHOOTING	7
WIRING DIAGRAM	8

# IMPORTANT NOTES AND WARNINGS

## WARNING

- Read all instructions before installing or using this heater
- Use this controller only as described in this manual. Any other use not recommended by the manufacturer may cause fire, electric shock, or injury to persons.
- Improper installation, adjustment, or alteration and failure to follow the warnings and instructions in this manual could result in severe personal injury, death or property damage.
- The manufacturer is not responsible for any damage that could happen from improper use. The manufacturer emphasises that this controller should be used in a responsible manner and that all procedures, warnings, and safety instructions contained in this booklet be followed strictly.
- The product must be fixed on surfaces which cannot be damaged by the high temperature. It must be placed in a well ventilated location. It cannot be hermetically closed. It must be fixed vertically, with cable glands downward.
- The connection cables must be protected against any accidental impacts, using proper pipes.
- This controller is not intended for use in bathrooms, laundry areas and similar indoor locations. Never locate controller where it may fall into a bathtub or other water container.
- Do not install the controller directly near a bathtub, shower or swimming pool. Any switches or controls must not be within reach of a person in the bathtub, shower or swimming pool.
- Extreme caution is necessary when any controller is used by or near children or invalids and whenever the controller or heater is left operating and unattended.
- This controller is not intended for use by persons (including children) with reduced physical, sensory or mental capabilities, or lack of experience and knowledge, unless they have been given supervision or instruction concerning use of the appliance by a person responsible for their safety.
- Keep packaging materials out of reach of children
- Children and adults should be alerted to the hazards of electrocution and should stay away to avoid serious personal injury
- Children should be carefully supervised when they are in the area of the controller.
- Do not attempt to alter the controller in any manner.
- Do not paint any surface of the controller.
- Do not touch the controller with wet hands at any time.
- Do not use or store flammable materials near this appliance.
- Do not spray aerosols or flammable materials in the vicinity of the controller while it is in operation
- Never operate the controller in an explosive environment such as areas where petrol or other flammable liquids or vapours are stored.

## INSTALLATION

- **IMPORTANT** - Installation must be carried out by a licensed and authorised person.
- The installer is to ensure that the requirements of the local authority, local electrical installation code, municipal building codes, and any other relevant statutory regulations are carried out.
- After unpacking, make sure the controller shows no signs of visible damage or tampering. If the controller appears damaged, contact the place of purchase for assistance.
- Remove transit protection before use.

- This appliance must only be used on a 110 - 230 Volt AC Single Phase electricity supply.
- This controller is NOT intended to be installed on recreational vehicles and/or boats.
- Do not run cord under carpeting. Do not cover with throw rugs, runners or the like arrange cord away from traffic area and where it will not be tripped over
- A controller has hot and arcing or sparking parts inside. Do not use it in areas where gasoline, paint or flammable liquids are used or stored.
- This Installation and Operation manual should not be removed from the site of installation. Installer should leave manual with the customer for future reference.
- Any guard or other protective device removed for servicing (conducted by an authorised person) must be replaced before operating the controller.
- If the controller has not been used, or will not be used, for a long period of time, disconnect power supply
- For the disconnection from the power line, use an all-pole switch with contacts having a dimension of at least 3,5mm.

## MAINTENANCE/ REPAIR

- Installation and repair must be carried out by a qualified & licenced service person only. The controller should be inspected before use and at least annually serviced & inspected by a qualified & licenced service person.
- Do not perform maintenance until controller has been turned off and power disconnected.
- Check for damage to the controller regularly. If damage to the appliance is suspected, discontinue use immediately and contact the supplier or qualified person to repair.
- If the supply cord is damaged, it must be replaced by an authorised and licenced person in order to avoid a hazard.
- At the end of this product's useful life, it must not be disposed of as domestic waste, but must be taken to a collection centre for waste electrical and electronic equipment. It is the user's responsibility to dispose of this appliance through the appropriate channels at the end of its useful life. Failure to do so may incur the penalties established by laws governing waste disposal. Proper differential collection and the subsequent recycling, processing and environmentally compatible disposal of waste equipment avoids unnecessary damage to the environment and possible related health risks, and also promotes recycling of the materials used in the appliance. For further information on waste collection and disposal, contact your local waste disposal service, or the place of purchase

## ELECTRICAL CONNECTIONS

- All connections must be rated for a single-phase 110 - 230VAC power supply, with an earth connection.
- Arrange all the necessary safety devices and use only materials that comply with standard electrical installations.
- Signal and power voltage wiring (110 - 230Vac) must be separated one from the other.
- The cable must have a section properly rated according to the load connected and nominal temperature range up to 90°C.

# PRODUCT OVERVIEW & INSTALLATION

## 1 DESCRIPTION

The Wireless ON/OFF control is for resistive and infrared heaters. The controller allows the power output of the heater to be turned on/off. The wireless control can be used with 110 - 230VAC supply voltages.

### 1.1 FEATURES

- Controls TWO 3000W heaters at 230VAC (1500W at 110VAC).
- ON/OFF function with dual output control

### 1.2 KIT CONTENTS

- Wireless controller enclosed in a protective box.
- 4-channel remote

## 2.1 INSTALLATION

Study the WIRING DIAGRAM at the end of this document before starting installation.

**WARNING:** Isolate mains before installing. Use only on with a properly secured heater.

**PLUG AND SUPPLY CORD:** Use an appropriately rated plug and supply cord - check the power requirements of the connected loads. Socket outlet used must be near the equipment.

**OVERCURRENT DEVICE:** The outputs are NOT protected against short circuits or extra-currents which can damage the electronic board. Evaluate the characteristics of the connected loads and apply the appropriate safety devices to the power line.

The wireless control must be mounted using the following guidelines:

- It must be fixed on surfaces which cannot be damaged by high temperature.
- It must be placed in a well-ventilated location.
- It must be fixed vertically, with cable glands downward.
- Connection cables must be protected against any accidental impacts, using proper pipes.
- Do not cover the product.
- Do not use or store flammable materials close to the product.

1. Open cover to the box.
2. Wire in power and heater as per the wiring diagram.
3. Power on the wireless control.
4. Program the wireless control as per 'OPERATION' section.
5. Refit cover to the box.


## 2.2 OPERATION

**Before programming, select the output L1 or L2, using the switch as outlined in the 'WIRING DIAGRAM'.**

**The following programming will be ONLY applied to the selected output.**

**It is possible to associate a single or double channel function to both of the outputs by repeating the procedure.**

 **WARNING:** The receiver automatically saves the setting 5 seconds after button release.

 **IMPORTANT:** The included 4-channel remote functions as a 4 x single channel remote OR a 2 x double channel remote (paired Ch1 with Ch2 and Ch3 with Ch4). Functions are:

Single Channel Functions – On/Off with the same button

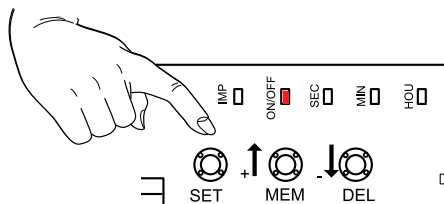
Double Channel Functions – On with Ch1 or Ch3. Off with Ch2 or Ch4

# OPERATION

## 2.2.1 Setting relay function - ON/OFF

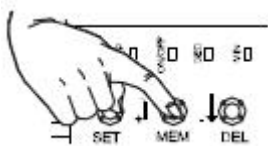
### ON/OFF Function

Press the 'SET' button twice and hold it down until the 'ON-OFF' LED turns on. Wait until the LED turns off to confirm the memorisation of the data.



Before starting select the output L1 or L2, using the switch (see picture at page 9). The following memorization/deletion will be applied only to the selected output. Anyway it's possible to associate a double channel to both of the output, repeating the procedure.

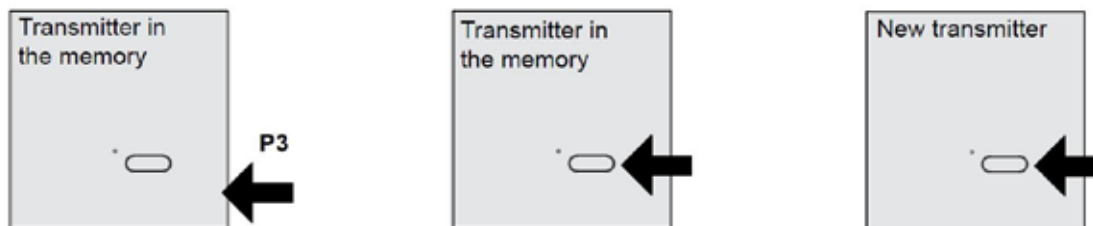
## 2.2.2 Programming of a double channel



1. Press the 'MEM' button two times and hold the button on the second time. There will be 2 beeps and followed by a continuous sound.
2. While holding 'MEM' the button (during continuous sound), press the button on the remote that will be programmed. The programming is confirmed by an intermittent sound.

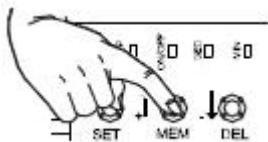
Note: in case of commanding an output with TIMER function, it's possible to stop the counter before the set time using buttons CH2, CH4 or CH7.

## 2.2.3 Copying a function of remote to a new remote. See remote manual for detail on P3 button.



1. Press the P3 button inside the already programmed remote. The active receiver will sound continuously. If there is no sound, the remote is not programmed into the receiver.
2. Within 5 seconds, press a button of the **already programmed remote**, relative to the function to copy. The sound will be interrupted, and continue for another 5 seconds.
3. During the sound, press a button of the **new remote** that requires to be programmed. The programming is indicated by an intermittent sound.

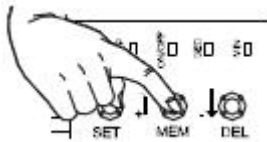
## 2.2.4 Deleting a double channel function from the receiver



1. Press the P2 button once and hold it down. There will be a slow and intermittent sound.
2. During the sound, press the button of the remote that will be deleted. The deletion is indicated by a continuous sound.

# OPERATION

## 2.2.5 Deleting all remotes



1. Press the P2 button two times and hold the P2 button on the second time until the following sound sequence is heard.
  - a. There will be one beep and then followed by a quick and intermittent sound.
  - b. Continuous sound.
2. Hearing the sound sequence above indicates that the whole memory of the receiver is deleted.

## 2.2.6 Deleting a remote from a remote. See remote manual for detail on P3 button.

1. Press the **P3 button inside the remote three times**. There will be slow and intermittent sound.
2. During the intermittent sound, press a button of the remote relative to the function to be deleted. The deletion is indicated by a continuous sound.

## 2.3 RECOMMENDED PROGRAMMING

The recommended programming for the 4-channel remote is as follows:

- Ch1 & Ch2 to be used as a DOUBLE CHANNEL FUNCTION for output L1
- Ch3 & Ch4 to be used as a DOUBLE CHANNEL FUNCTION for output L2

# TECHNICAL SPECIFICATION

## WIRELESS CONTROLLER

Power Supply	110/230VAC, 28A
Max Output Power	3000W each relay @ 230VAC 1500W each relay @ 110VAC
Reception Frequency	916MHz
Operating Temperature Range	-20/+50°C
Maximum Remotes Memorised	42
Dimensions	205 x 145 x 85mm
Protection Class	IP54

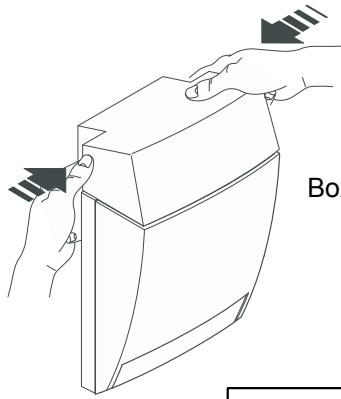
Manufactured by **Teleco Automation s.r.l. - Italy - [www.telecoautomation.com](http://www.telecoautomation.com)**

**The manufacturer reserves the right to modify design features and technical data without notice.**

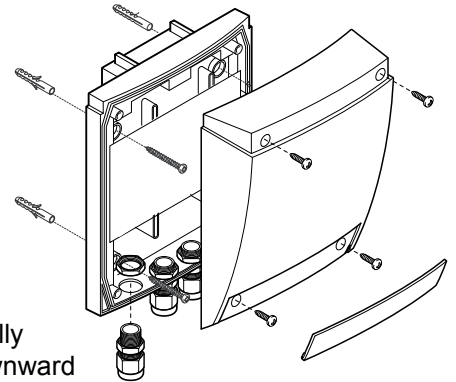
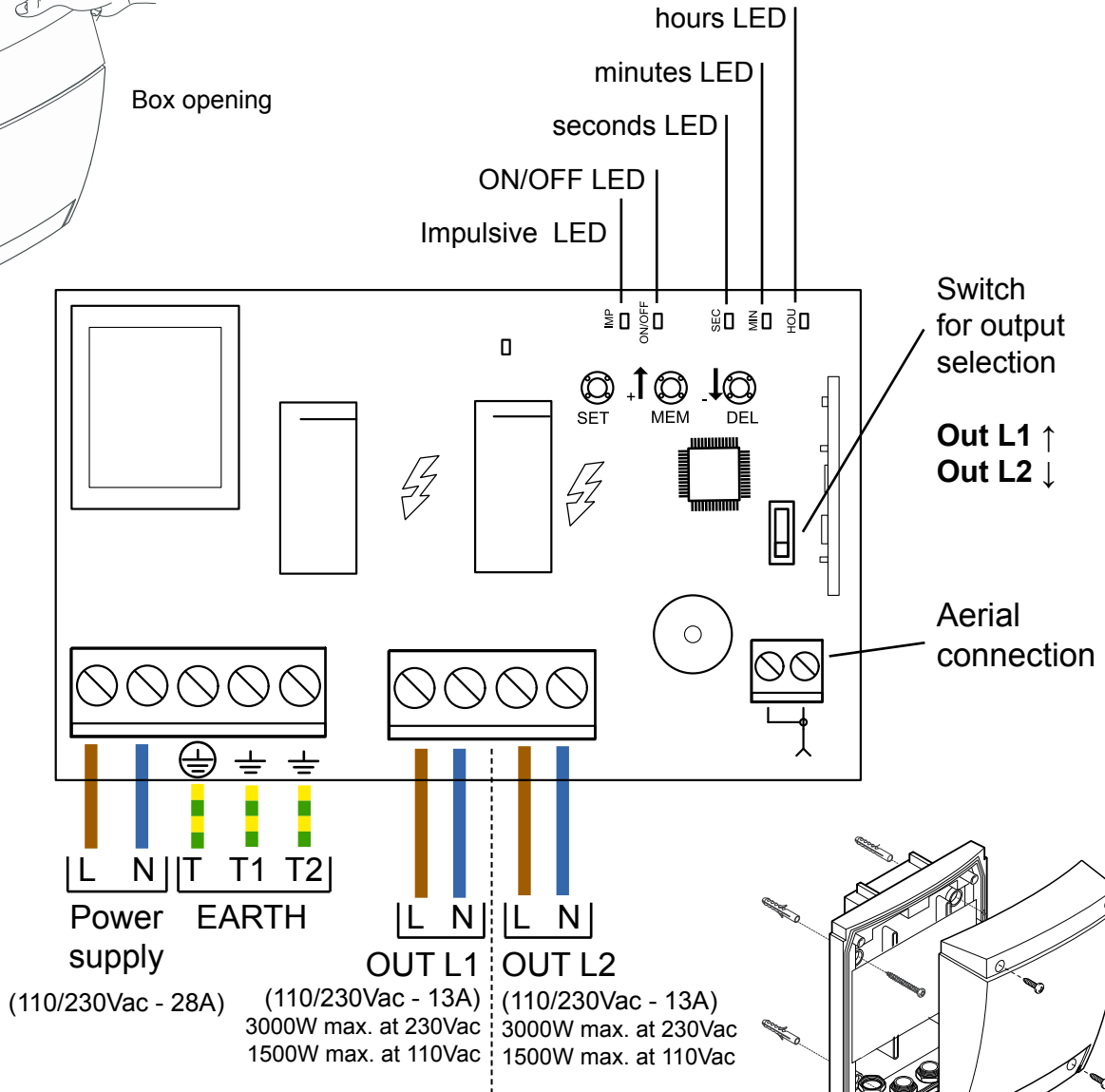
# TROUBLESHOOTING

PROBLEM	POSSIBLE CAUSE	REMEDY
Control box does not receive signals from remote	No battery in remote	Change/Replace with CR2430 battery.
	Control box memory full	Delete a remote from control box memory.
	Remote not programmed into control box	Program remote as per '2.2 OPERATION' section.
All other		Contact your dealer or qualified technician.

# WIRING DIAGRAM



Box opening



Mount the product vertically with the cable glands downward

