

ECLIPSE
SMART-HEAT™ ELECTRIC
PENDANT



The Eclipse Smart-Heat Electric Pendant series will allow you to go straight from dinner to drinks thanks to its dimmable LED lighting rail and 3 different heat settings. With its sleek ceramic screen and matte black appearance, the Bromic Eclipse Smart-Heat series strikes the perfect balance between ambience, style, and functionality.

In addition to the included 24" Twin Pole, the Eclipse Electric Pendant can be paired with five other striking pole designs, including wall-mounted and ceiling-mounted options. For the ultimate in convenience, combine this sleek heater with the Bromic Smart-Heat Eclipse Dimmer Controller wireless remote to accurately adjust the heat and light coverage from the comfort of your seat! 2900W of heating power. Requires 220V-240V electricity.



WALL MOUNT



48" STRAIGHT CEILING MOUNT POLE



24" CURVED CEILING MOUNT POLE



24" STRAIGHT CEILING MOUNT DOUBLE POLE



WALL MOUNT

48" STRAIGHT CEILING MOUNT POLE

24" STRAIGHT CEILING MOUNT DOUBLE POLE

24" CURVED CEILING MOUNT POLE

PREMIUM CONSTRUCTION
Superior components, ensuring longevity of use and aesthetic appeal for years to come.

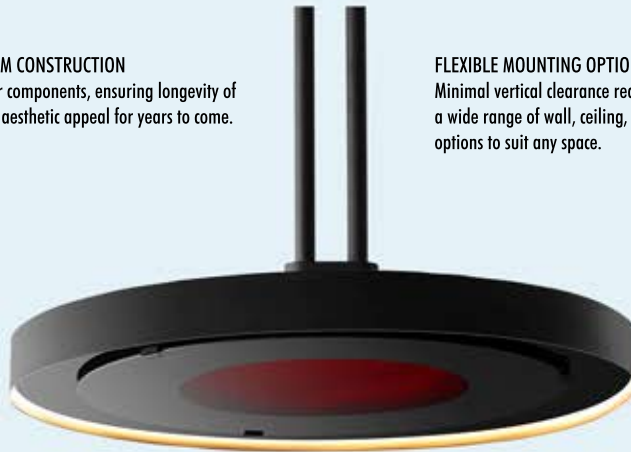
FLEXIBLE MOUNTING OPTIONS
Minimal vertical clearance requirements and a wide range of wall, ceiling, and free-standing options to suit any space.

UNIQUE DESIGN
Elegantly understated design that complements any design-focused outdoor environment

CERAMIC SCREEN
Spreads heat evenly across any area while minimizing light emission from the heating element.

PRECISE CONTROL
Accurately adjust the heat output (0/33/66/100%) for complete control over the level of comfort with the recommend Dimmer Controller.

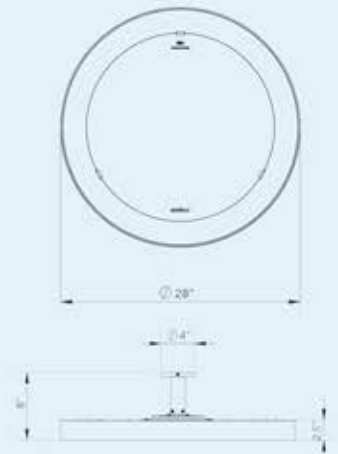
DIMMABLE LIGHT
Complete flexibility over level of brightness for the right amount of ambience with recommended Dimmer Controller.



MODEL

PRODUCT CODE	BH0920001-1
FUEL TYPE	ELECTRIC (2900W)
COLOR	MATTE BLACK
MATERIAL (HEATER HEAD)	PREMIUM COATED 304 STAINLESS STEEL
MATERIAL (MOUNTING ARMS)	PREMIUM, DOUBLE COATED STEEL
HEAT AREA	121FT ²
LED COLOR	WARM WHITE - DIMMABLE
LED TEMPERATURE	3000K
LED LUMENS	216.6
RATED CURRENT & VOLTAGE	11.4 A (220V) / 11.8 A (230V) / 12.1 A (240V)
MINIMUM FLOOR CLEARANCE	CEILING 96" WALL 96"

PRODUCT MEASUREMENTS



MOUNTING OPTIONS

WALL MOUNT	BH3230006 (OPTIONAL)
8" STRAIGHT CEILING MOUNT POLE	BH3230001 (OPTIONAL)
24" STRAIGHT CEILING MOUNT POLE	BH3230002 (OPTIONAL)
24" TWIN STRAIGHT CEILING MOUNT POLE	INCLUDED
24" CURVED CEILING MOUNT POLE	BH3230004 (OPTIONAL)
48" STRAIGHT CEILING MOUNT POLE	BH3230005 (OPTIONAL)

CONTROL OPTIONS

DIMMER CONTROL	BH3230007-1 (RECOMMENDED)
MASTER REMOTE ECLIPSE*	BH3623002-1 (OPTIONAL)

*Control up to six zones of heaters with unlimited heaters per zone from a single remote. Dimmer control required.

Measurements displayed within this catalog are minimum requirements for installation. Bromic takes no responsibility for incorrect or non-compliant installations. All measurements in this catalog are displayed in inches.

HEAT AREA

