

ECLIPSE
SMART-HEAT™ ELECTRIC
PORTABLE



The Eclipse Smart-Heat Electric Portable is a powerful electric outdoor heater that brings radiant warmth, light and style to design-focused outdoor spaces. This portable electric outdoor heater incorporates ground-breaking heat transfer technologies that result in a high-efficiency outdoor heater and dimmable LED light unit with minimalist, yet striking design aesthetics.

The Eclipse Smart-Heat Electric Portable comes with our Eclipse Dimmer Controller and wireless remote, so you can quickly adjust both the heat output and gradually dim the lights to achieve the right level of comfort required for any situation. 2900W of heating power. Requires 220V-240V electricity.



DIMMABLE LIGHT
Complete flexibility over level of brightness for the right amount of ambience.

PRECISE CONTROL
Accurately adjust the heat output (0/33/66/100%) for complete control over the level of comfort.

CERAMIC SCREEN
Spreads heat evenly across any area while minimizing light emission from the heating element.

PREMIUM CONSTRUCTION
Premium, corrosion-resistant, double-coated steel to ensure longevity of use and aesthetic appeal for years to come.

UNIQUE DESIGN
Elegantly understated design that complements any design-focused outdoor environment.

FLEXIBILITY OF USE
Stable base unit with wheels for easy maneuverability and flexibility over location.



MODEL

PRODUCT CODE	BH0820001-1
FUEL TYPE	ELECTRIC (2900W)
COLOR	MATTE BLACK
MATERIAL (HEATER HEAD)	PREMIUM COATED 304 STAINLESS STEEL
MATERIAL (FREESTANDING FRAME)	PREMIUM, DOUBLE COATED STEEL
HEAT AREA	121FT ²
LED COLOR	WARM WHITE - DIMMABLE
LED TEMPERATURE	3000K
LED LUMENS	216.6
RATED CURRENT & VOLTAGE	11.4 A (220V) / 11.8 A (230V) / 12.1 A (240V)
MINIMUM FLOOR CLEARANCE	79"

MOUNTING OPTIONS

FREESTANDING	✓
--------------	---

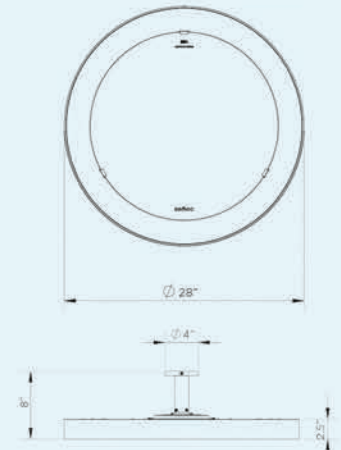
CONTROL OPTIONS

DIMMER CONTROL	INCLUDED
MASTER REMOTE ECLIPSE*	BH3623002-1 (OPTIONAL)

*Control up to six zones of heaters with unlimited heaters per zone from a single remote. Dimmer control required.

Measurements displayed within this catalog are minimum requirements for installation. Bromic takes no responsibility for incorrect or non-compliant installations. All measurements in this catalog are displayed in inches.

PRODUCT MEASUREMENTS



HEAT AREA

