

TUNGSTEN

SMART-HEAT™ PORTABLE



The pinnacle of portable performance...

The Tungsten Smart-Heat™ Portable heater brings the revolutionary radiant performance of its fixed gas counterpart to an ergonomically designed portable platform. Creating comfort over an area up to three times the size of that serviced by a traditional portable heater while fueled by the same single gas cylinder, this unit utilizes directional heating to evenly, efficiently and effectively service any area it is wheeled into.



reddot award 2015
winner

High-Performance Mesh Screen

The Tungsten's unique front cover scientifically manipulates infrared energy to maximize performance while achieving a superior spread of heat

Exceptional Wind Resistance

The Tungsten's signature mesh screen enables remarkable wind resistance when combined with twin thermocouples, functioning reliably in winds of up to 12km/h or 8mph

Ceramic Efficiency

Slow-release ceramic burners efficiently combust gas to fuel the most environmentally friendly gas-fired heating method available

Strong, Direct Heat

Robust radiant heat output with heater head adjustment for greater positioning versatility

Unrivaled Coverage

Projects comfort evenly across a wide range while reaching deeply into open areas

International Acclaim

Distinct difference from traditional portable heaters has earned widespread praise, including accolades such as the Good Design® Award and Red Dot Award

Superior Safety

Patented flame failure and tilt safety technology ensures risk-free operation at all times

One-Touch Ignition

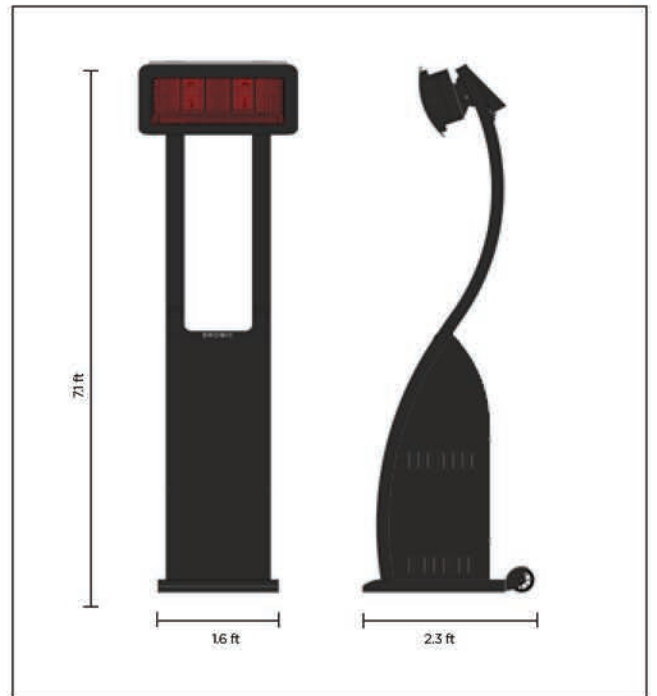
Simply set the gas and push a button; the repetitive spark igniter will do the rest

Ergonomic Modular Design

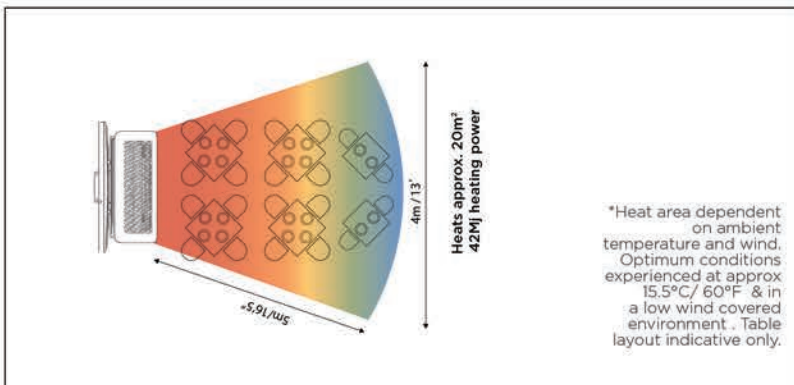
The perfectly balanced body is easily de-constructed for transport or storage while offering superior tilt resistance and effortless movement



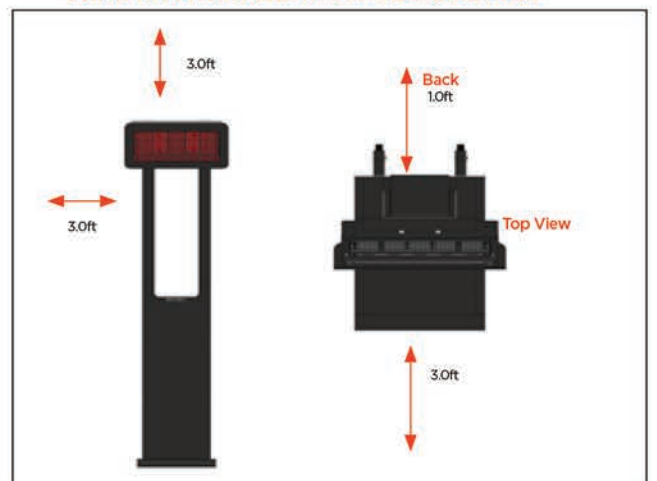
DIMENSIONS



HEAT AREA



MINIMUM INSTALLATION CLEARANCES



SPECIFICATIONS

Ignition	1.5V Battery activated repetitive spark ignition
Adjustable Heat Output	21,300 BTU - 39,800 BTU
Gas Type	Propane & Natural Gas
Gas Supply	Gas Cylinder not included
Weight (excluding cylinder)	123.5 lbs
Safety features	Flame Failure & Anti-Tilt Safety Device
Gas supply pressure	LPG 11" WC NG 7" WC

International patent pending and design registered by BROMIC HEATING Pty Ltd, a member of the Bromic Group of companies.